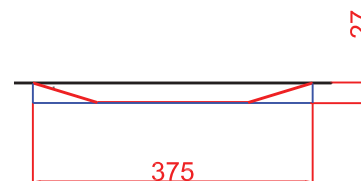
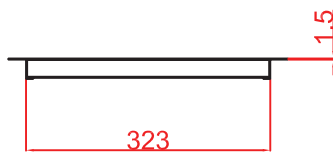
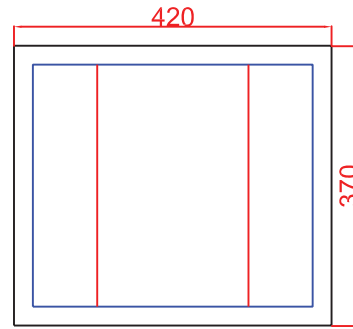
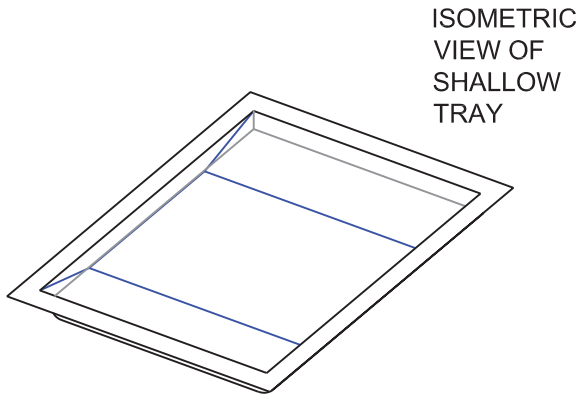


## SHALLOW TRAY

## SHALLOW



### **SHALLOW TRAY**

*(Ref: Shallow)*

#### **USE**

To pass through documents in a secure situation

#### **APPLICATIONS**

Cash Offices, Ticket Offices, Enquiry Windows, Reception Windows.

#### **TRANSFER**

Documents - 25mm deep

#### **LEVEL OF PROTECTION**

Attack resistant

#### **MATERIALS**

Tray - satin polished stainless steel

#### **APERTURE SIZE**

400mm deep x 344mm wide prepared opening in counter

#### **WEIGHT**

2 Kg approximately

KS TECH SPEC