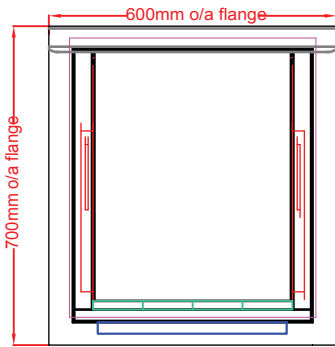
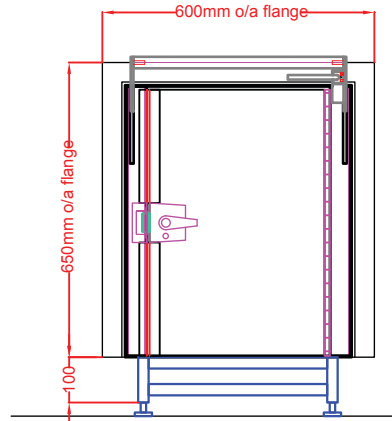


MANUAL BULK TRANSFER UNIT

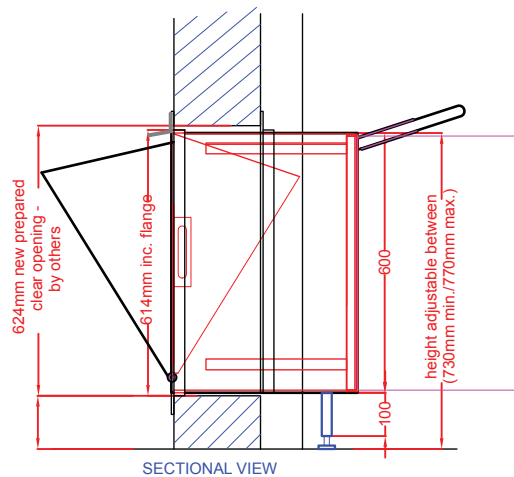
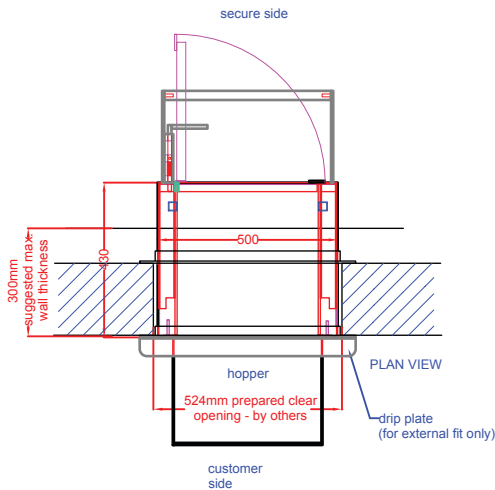
MBTU



ELEVATIONAL VIEW FROM CUSTOMER SIDE



ELEVATIONAL VIEW FROM SECURE SIDE



TECH SPEC

MANUAL BULK TRANSFER UNIT

(Ref: MBTU)

Manufactured from mild steel & stainless steel

To BS 5051 G2 S86 Ballistic resistant

Polyester powder coated and stainless steel finish

Front and rear doors interlocked (doors cannot both be open at the same time)

Built to accept cash carrying case (510mm x 320mm x 190mm) and other bulky items