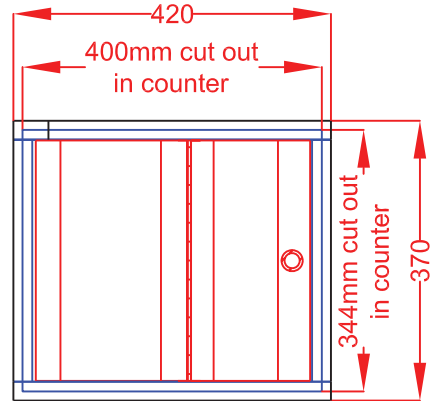
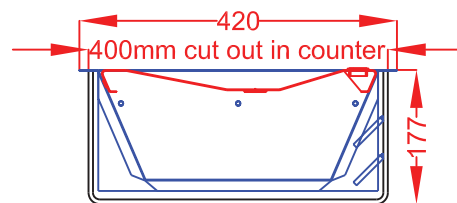


ISOMETRIC VIEW OF
CASH/PACKET



PLAN VIEW OF
CASH/PACKET



SIDE ELEVATION OF
CASH/PACKET

CASH / PACKET TRAY

(Ref: CP)

USE

To pass through small packages and documents in a secure situation

APPLICATIONS

Cash Offices, Ticket Offices, Enquiry Windows, Reception Windows, Dispensary Windows, Surgeries

Not suitable for external applications

TRANSFER

Documents - 25mm deep with tray closed
Packages - 110mm deep with tray open

LEVEL OF PROTECTION

Bullet resistant

MATERIALS

Tray - satin polished stainless steel

APERTURE SIZE

400mm deep x 344mm wide prepared opening in counter

WEIGHT

24 Kg approximately

K TECH SPEC